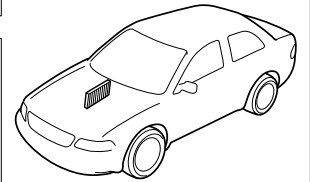
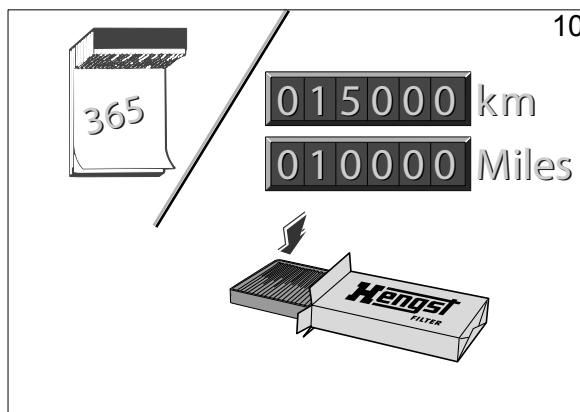
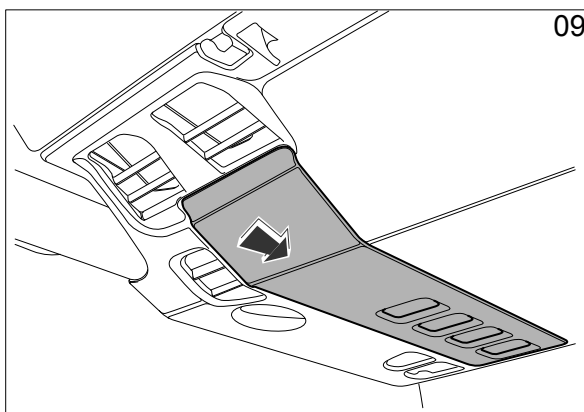
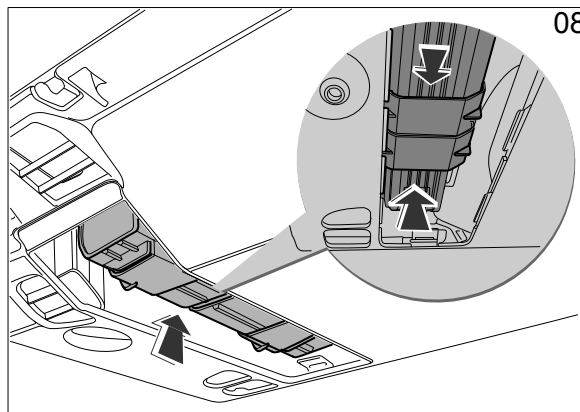
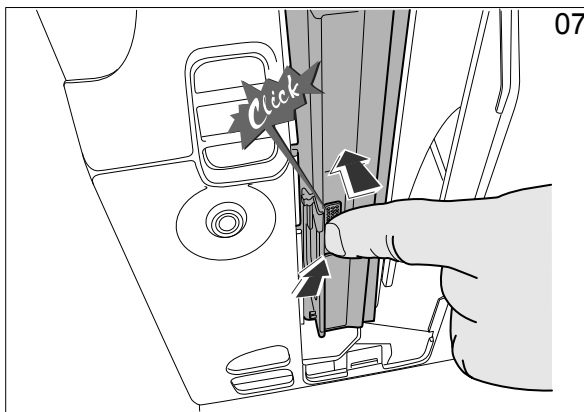
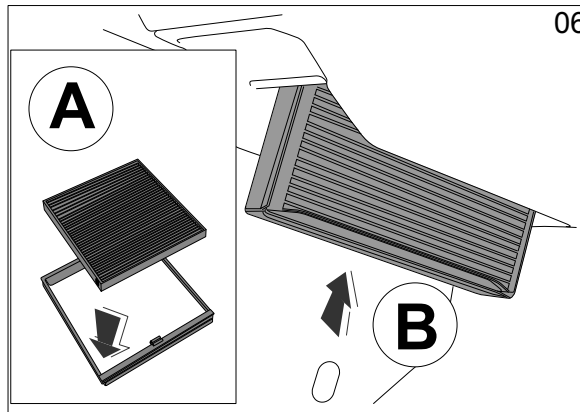
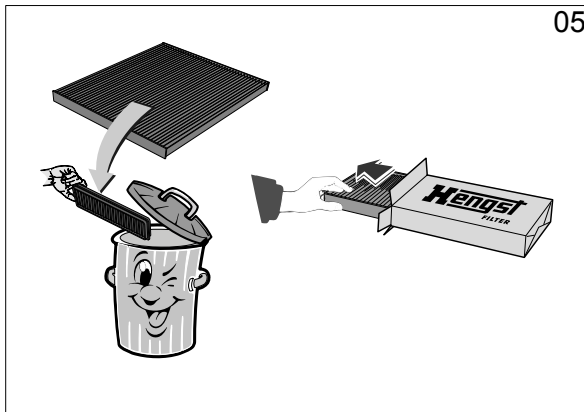
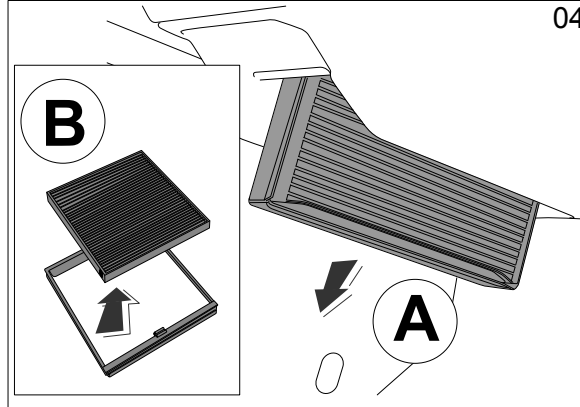
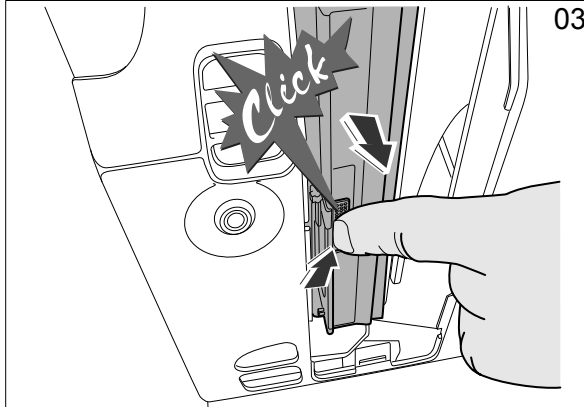
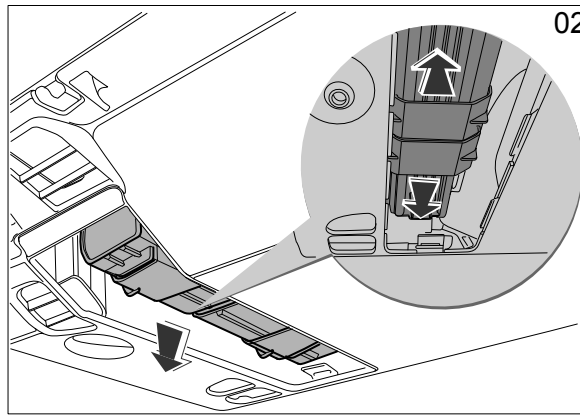
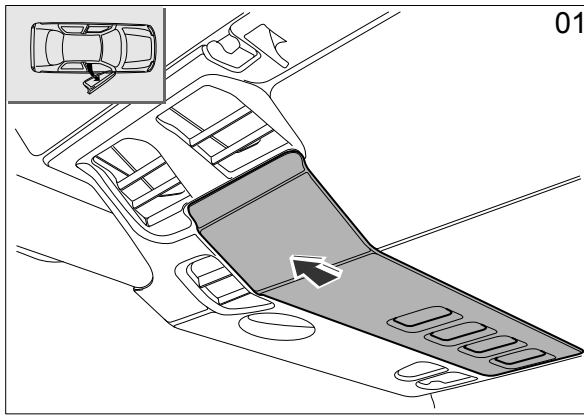


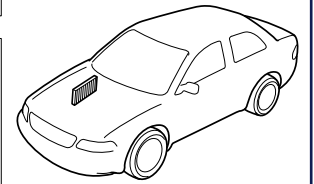
**E961LI
E961LC
E961LB**



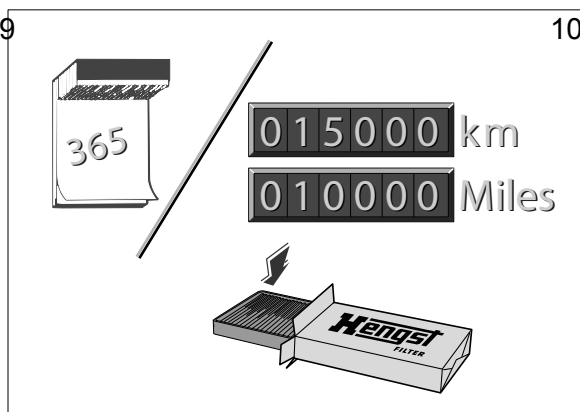
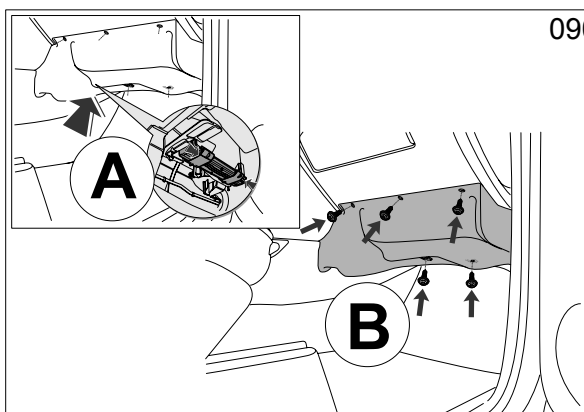
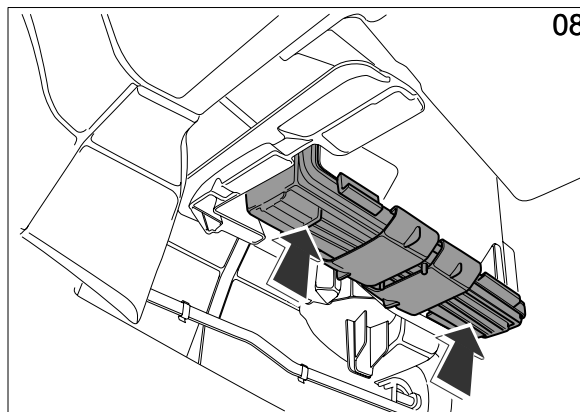
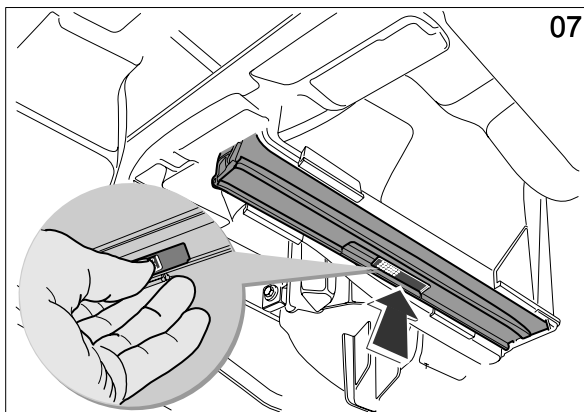
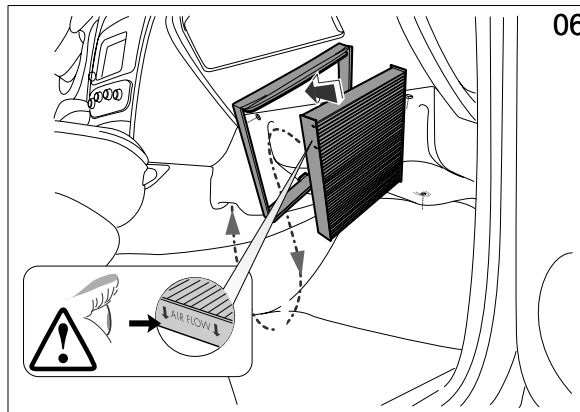
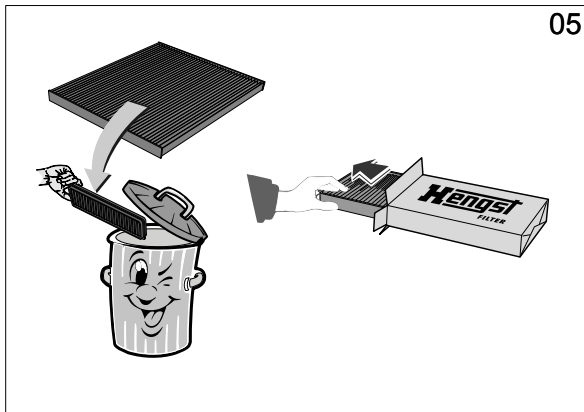
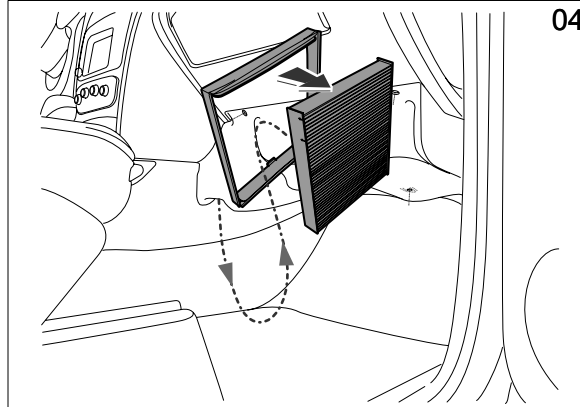
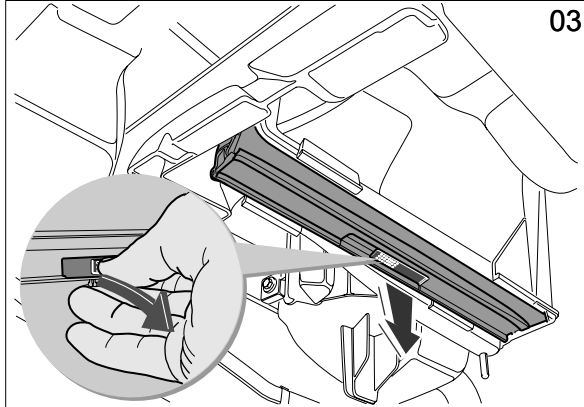
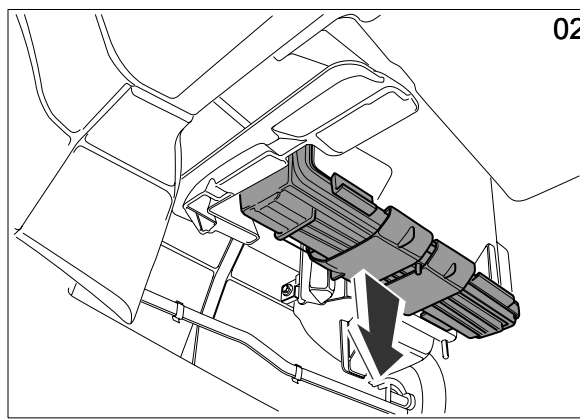
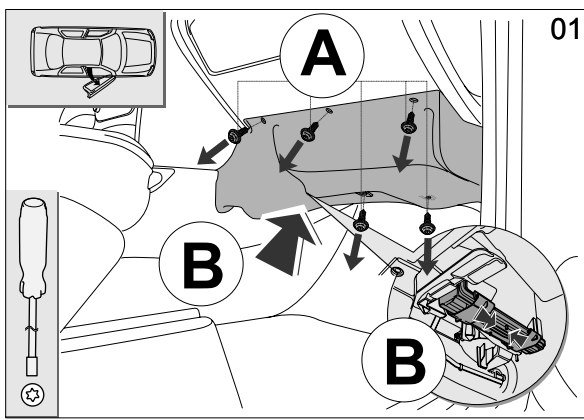
**AUDI
A2 (8ZO)**



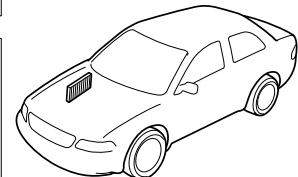
E961LI
E961LC
E961LB



MERCEDES
G-Klasse (W463)

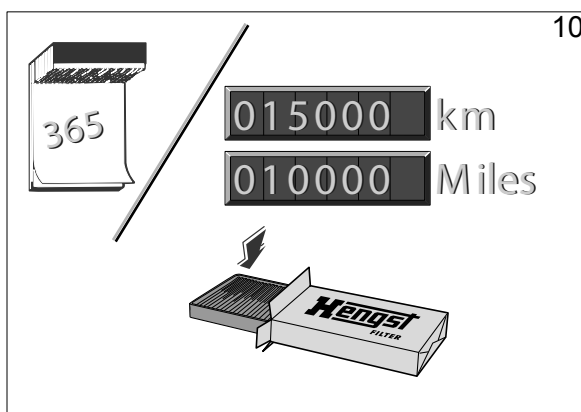
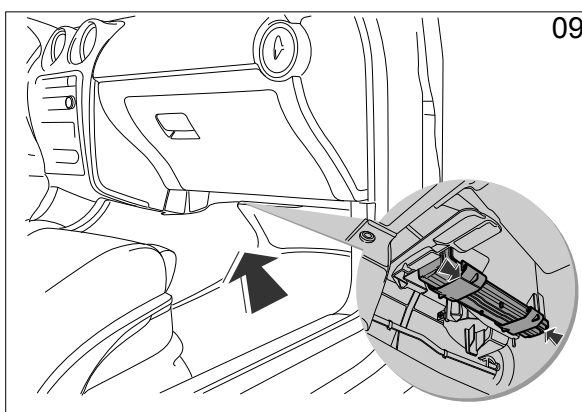
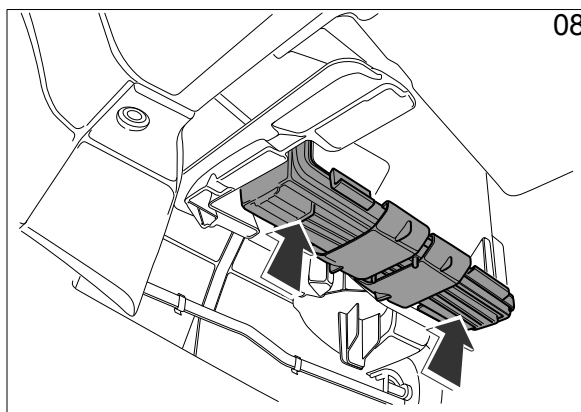
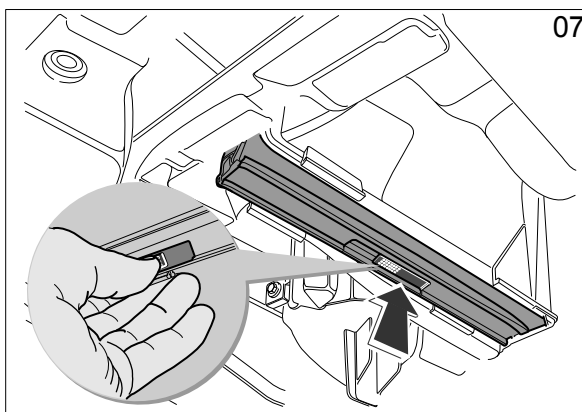
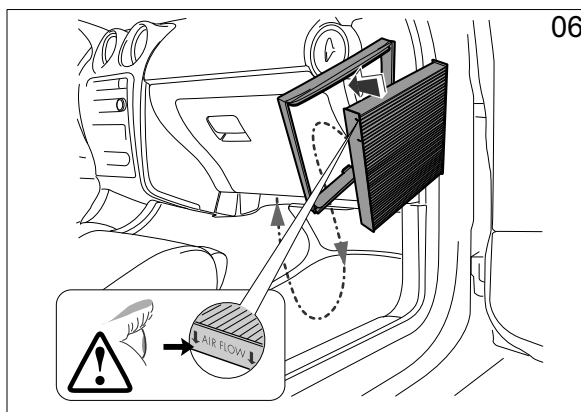
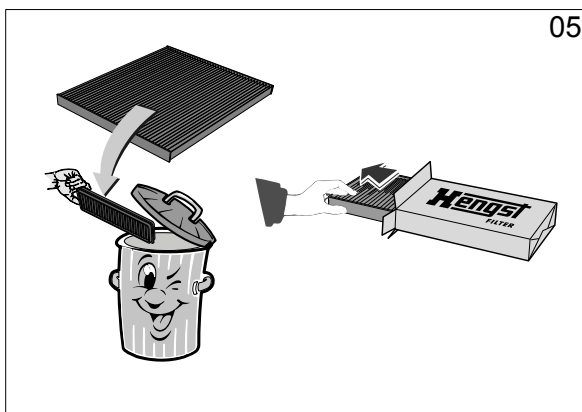
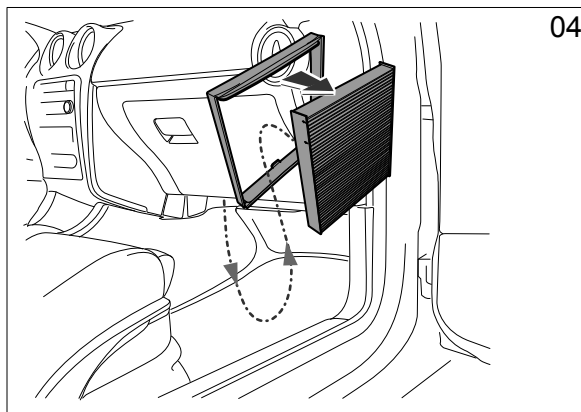
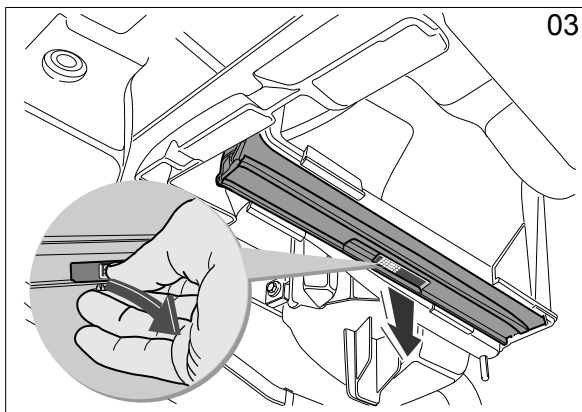
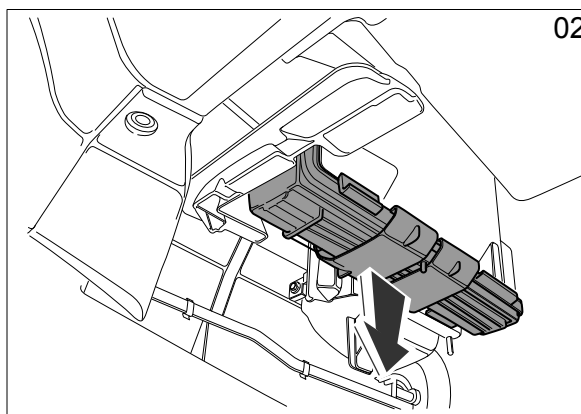
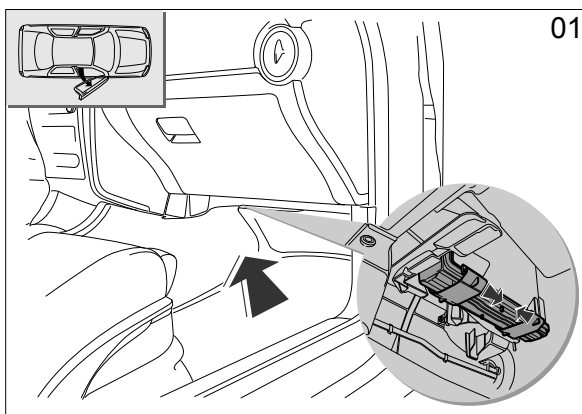


E961LI
E961LC
E961LB

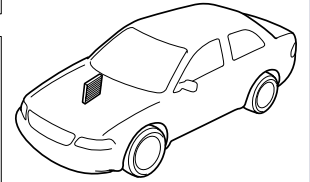


SEAT
Cordoba III (6L2)
Ibiza IV (6L1)

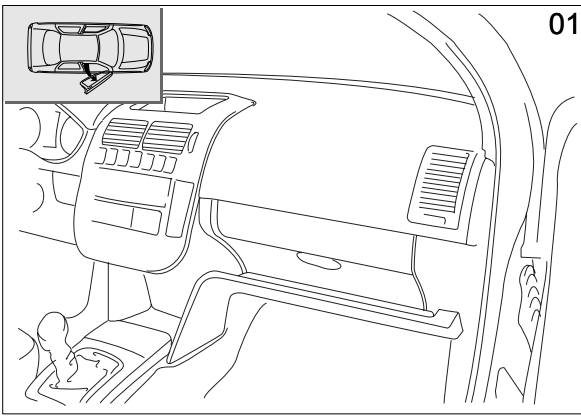
SKODA
Fabia II (6Y2/3/5)
Fabia III (5J6/9)
Praktik
Roomster



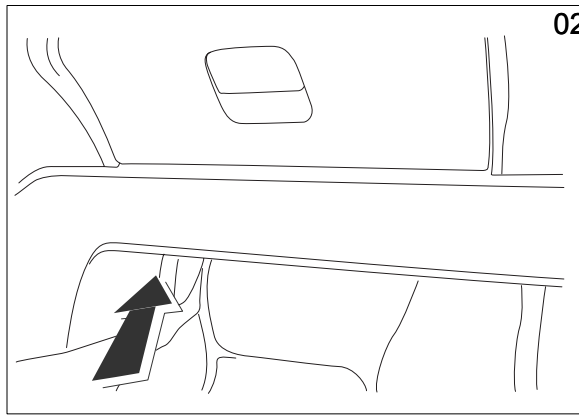
E961LI
E961LC
E961LB



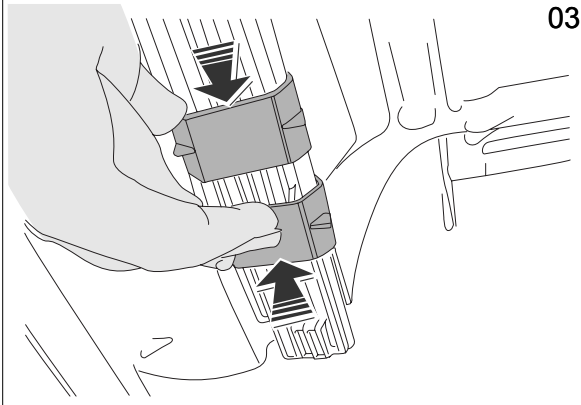
VW
Fox (5Z)
Polo IV (9N)



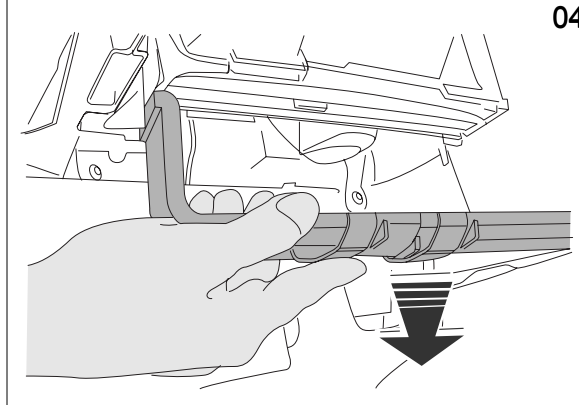
01



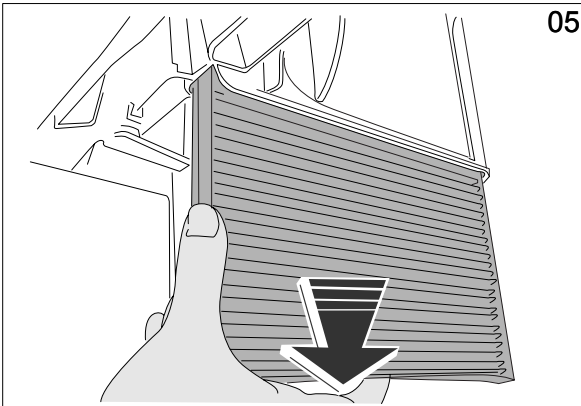
02



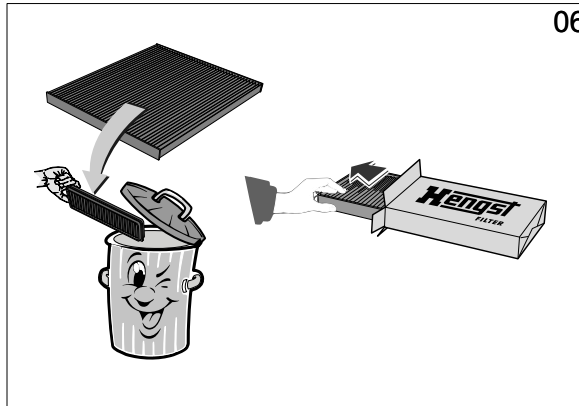
03



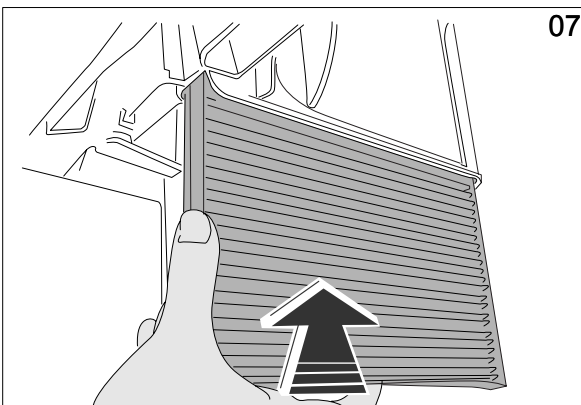
04



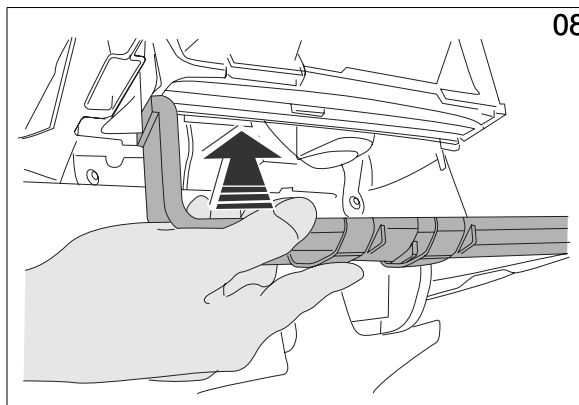
05



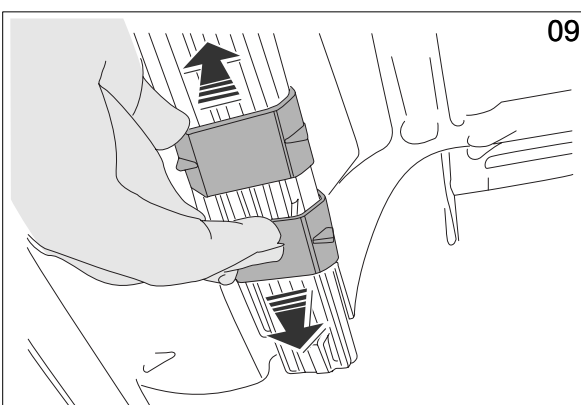
06



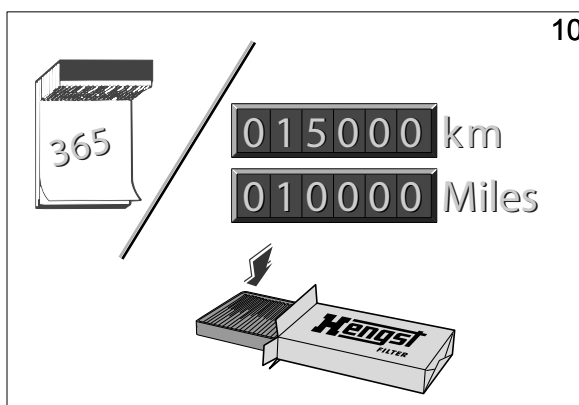
07



08



09



10